



SERVICE

Special tools for NSU-PRIMA

For Servicing and repair work with engine in situ.

NSU-PRIMA 150 cc
Special tools / Page 1
Edition XII. 1955

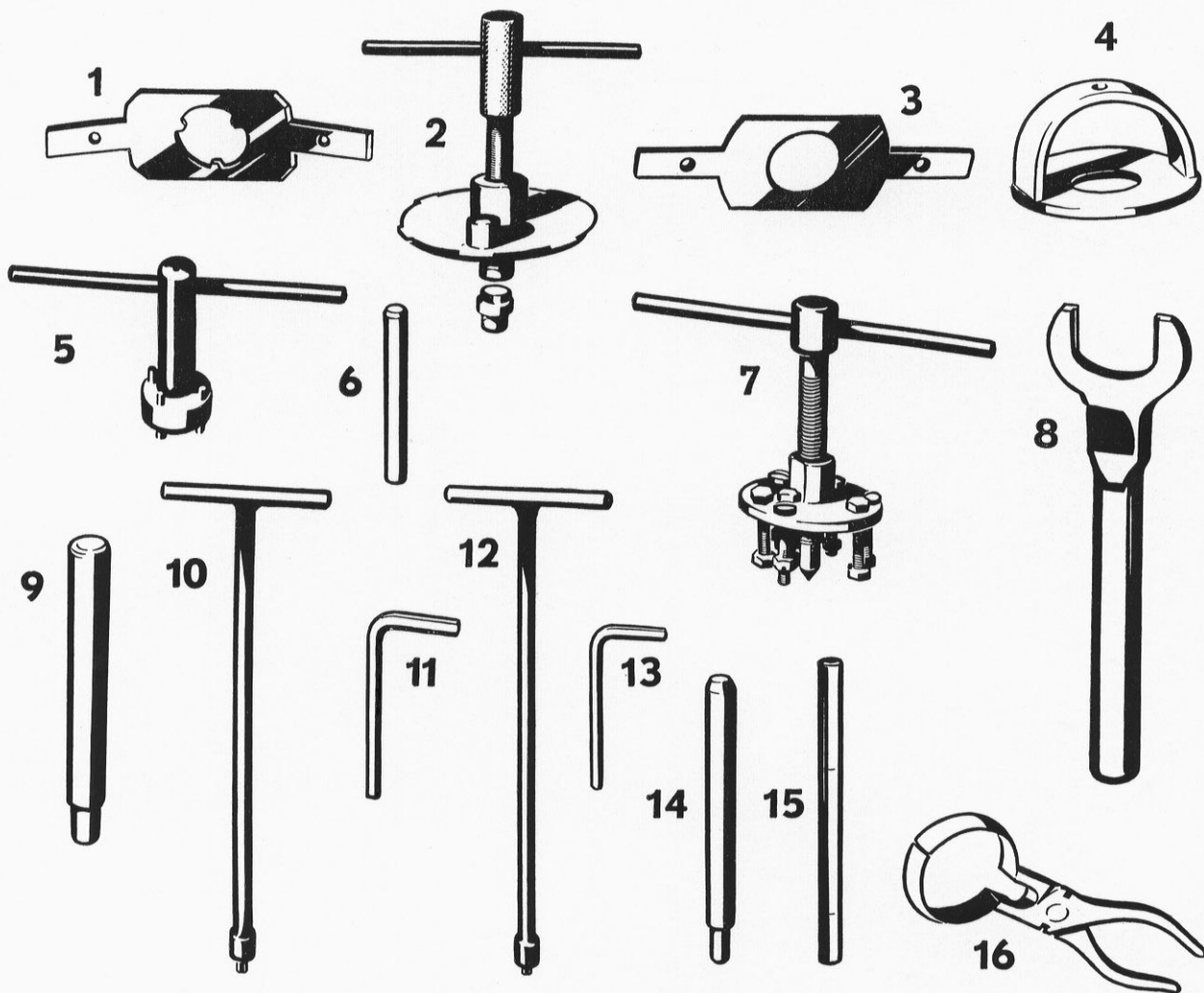
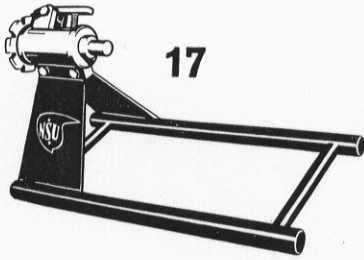
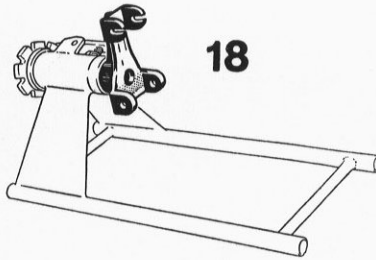


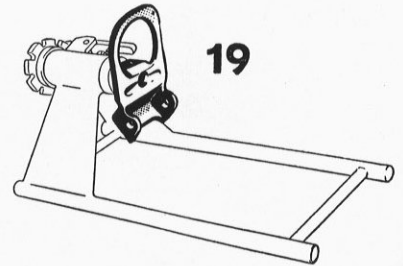
Fig. 1	1 support for clutch hub	11 91 01 108
Fig. 2	1 clutchbell drawer	11 91 01 123
Fig. 3	1 support for clutchbell	11 91 00 130
Fig. 4	1 clutch jig	11 91 02 134
Fig. 5	1 special tool for rear wheel springing	11 91 00 131
Fig. 6	1 punch for removing brake adjuster	11 91 00 921
Fig. 7	1 drawer for brake drum	018 099 743
Fig. 8	1 spanner for upper bearing ring	11 91 00 128
Fig. 9	1 punch for fitting distance- and bearing bush	11 91 00 920
Fig. 10	1 socket spanner 5 mm (0.197") for housing screws	11 91 00 111
Fig. 11	1 Allen key 5 mm (0.197") for housing screws	11 91 00 604
Fig. 12	1 socket spanner 6 mm (0.236") for housing screws	11 91 00 124
Fig. 13	1 Allen key 6 mm (0.236") for housing screws	11 91 00 603
Fig. 14	1 mandrel for gudgeon pin	11 91 00 919
Fig. 15	1 punch for checking connecting rod	048 422 014
Fig. 16	1 piston ring compressor	11 91 01 922



17



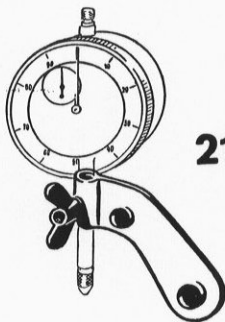
18



19



20



21

Fig. 17	1 stand	048 422 000
Fig. 18	1 fixture for holding engine	11 91 01 917
Fig. 19	1 fixture for rear wheel drive	11 91 00 916
Fig. 20	1 punch for removing (split) clutch ballrace	11 91 00 924
Fig. 21	1 bracket for dial gauge	11 91 00 912



SERVICE

Additional Special Tools for NSU-PRIMA

For repair work on rear wheel drive

NSU-PRIMA 150 cc
Special tools / Page 3
Edition XII. 1955

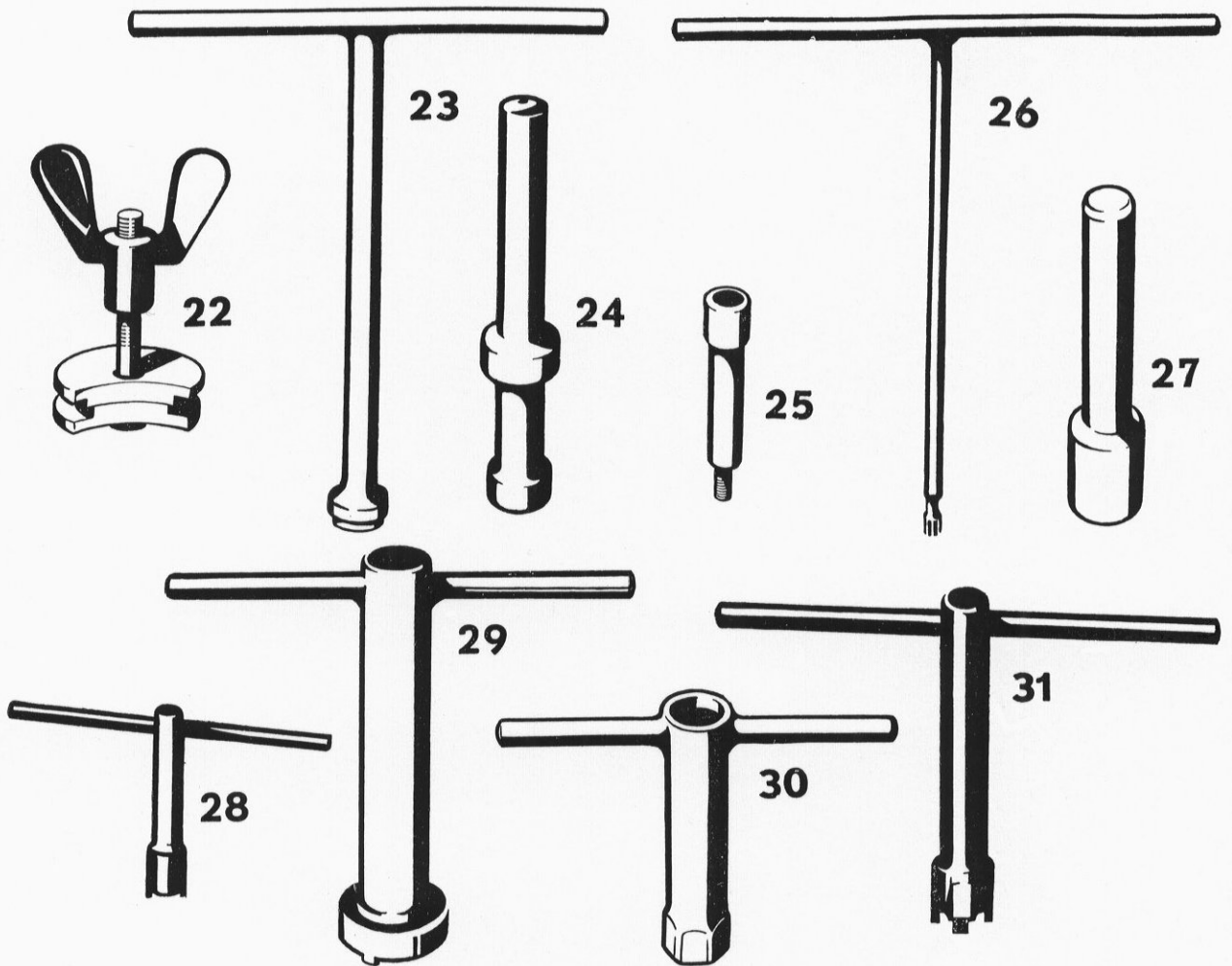


Fig. 22	1 suspension fitting tool	11 91 00 122
Fig. 23	1 socket spanner for magneto flywheel nut	11 91 00 110
Fig. 24	1 punch for knocking in ball bearing (bevel pinion)	11 91 00 908
Fig. 25	1 drawer for bevel pinion	11 91 00 129
Fig. 26	1 holding tool for bevel pinion	11 91 00 903
Fig. 27	1 punch for fitting bevel pinion gasket	11 91 00 918
Fig. 28	1 spanner	11 91 00 133
Fig. 29	1 socket spanner for outer suspension screwed joint	078 791 905
Fig. 30	1 box spanner 24 mm (15/16") for bevel pinion nut	11 91 00 904
Fig. 31	1 spanner for inner screws	11 91 00 909